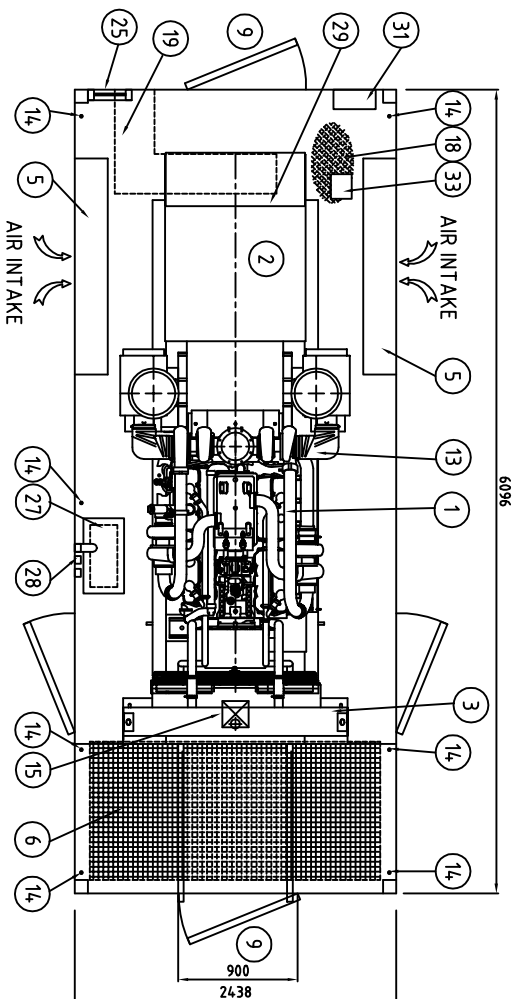
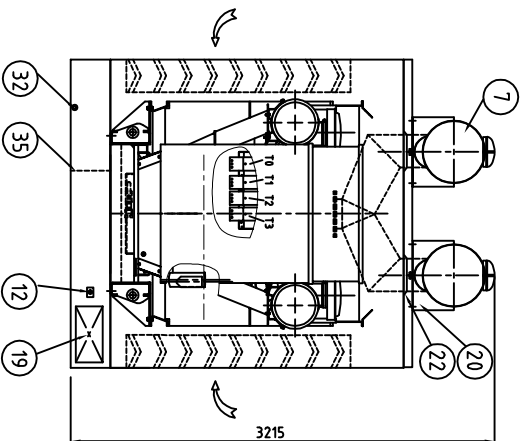


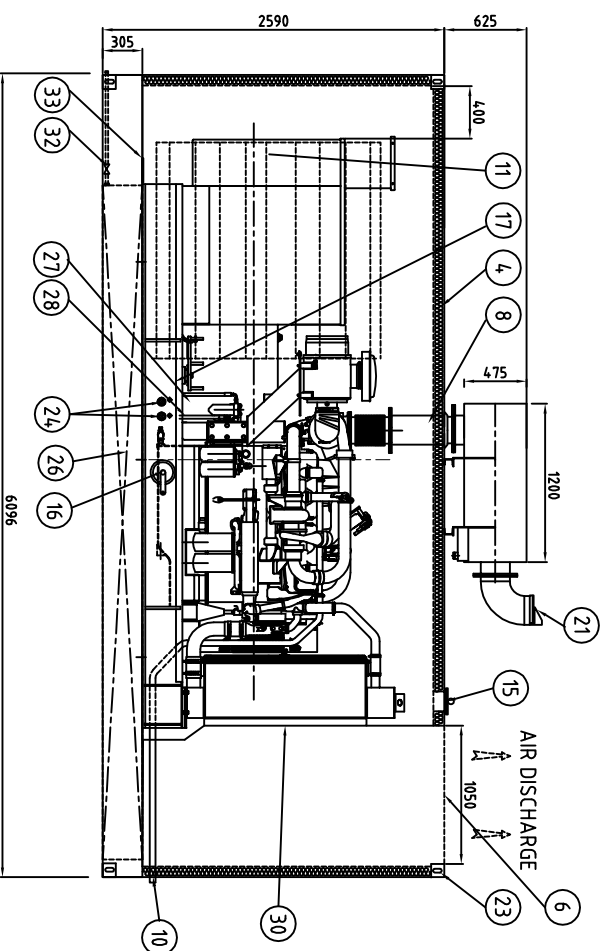
- NOTE:-
1. ALL DIMENSIONS ARE IN MM.
  2. GROSS WEIGHT OF PACKAGE APPROX. 10000 Kgs
  3. CONTAINER PAINT WHITE COLOR (RAL 9016)/BASE-BLACK
  4. OVERALL DIMENSIONS OF UNIT 6096L x 2438W x 3215 HT
  5. FOR ATTENUATOR DETAILS PLEASE REF TC/TYP/ATTENUATOR.DWG & 254/Attenuator details.xls
  6. TWO MUFFLERS ARE USED FOR GENSET RATING = 500KW FOR GENSETS < 500KW ONLY ONE MUFFLER IS USED



PLAN



REAR VIEW



RIGHT SIDE VIEW

CAT 3412/C18, 20FT LONG, 2590MM HIGH, VERTICAL RADIATOR

ITEM	DESCRIPTION
1	CAT 3412 DIESEL ENGINE
2	GENERATOR
3	SKID MOUNTED RADIATOR
4	MINERAL WOOL & GS PERFORATED LINER TO BE APPLIED ON WALL & ROOF
5	ACOUSTIC LOUVERS
6	WEATHER PROOF SCREEN
7	SPARK ARRESTOR MUFFLER (1No FOR GENSET < 500KW)
8	"Y" ADAPTOR & FLEXIBLE FITTING COVERED BY 100MM THK THERMAL INSULATION WITH AL. CLADDING
9	ACCESS DOORS WITH LOCK
10	3Ø x 2 Nos FUMES DISPOSAL EXTENDED TO EXTERIOR OF ENCLOSURE
11	CIRCUIT BREAKER BUILT IN GENERATOR
12	EARTHING BOSS
13	BATTERY
14	3/4" DRAIN W/PLUG-7 NOS
15	INSPECTION COVER FOR RADIATOR WATER FILLING
16	LUBE OIL DRAIN PUMP MANUAL OPERATION
17	VIBRATION ISOLATORS (BUILT IN GENSET)
18	CHERQUEURED PLATE FLOOR
19	CABLE TRENCH
20	MUFFLER SADDLE
21	EXHAUST OUTLET WITH RAIN CAP
22	ROOF DRESSING COLLAR
23	LIFTING POINTS
24	1/2" BSP THD ENGINE SKID MOUNTED FUEL INLET CONNECTION
25	1/2" BSP THD ENGINE SKID MOUNTED FUEL OUTLET CONNECTION
26	SERVICE LADDER FIXED TYPE
27	BASE FUEL TANK 2000 LITRES CAPACITY
28	FUEL TANK MANHOLE COVER INCLUDES LEVEL GAUGE, VENT, FUEL SUPPLY & FUEL RETURN CONNECTIONS (3/4")
29	2" FUEL FILL (QUICK COUPLER) AND 3/4" FUEL CONNECTIONS (EXTERNAL)
30	ENC PANEL
31	COWLING & FLEXIBLE CONNECTION
32	LITERATURE CHEST
33	FUEL TANK DRAIN VALVE 3/4" WITH FLEX PIPE & PLUG
34	HAND HOLE WITH REMOVABLE COVER FOR DRAIN VALVE ACCESS AND ENCLOSURE
35	SHEET METAL SEALING WITH ISOLATION MATERIAL BETWEEN RADIATOR PARTITION FOR FUEL DRAIN

CAT 3412 (412DE41/CA0897)  
GENSET SHOWN

PROJECT:-  
AL BAHAR RENTAL PROGRAM

SUPPLIER:-  
MOHAMMED ABDULRAHMAN AL-BAHAR  
P.O.Box 6036, SHARJAH UAE. TEL: 06-5435355

DRG TITLE:-  
ACOUSTIC ENCLOSURE 85 DB(A) @ 3 M  
FOR CAT 3412/C18 DIESEL GENSET

DRAWN	JN	SCALE 1:100	DRG. NO	REV
CHECKED	AR	SHEET = A3		
APPROVED	HMS	DATE 06.03.04	T/C/34.12/C18-20FT	12